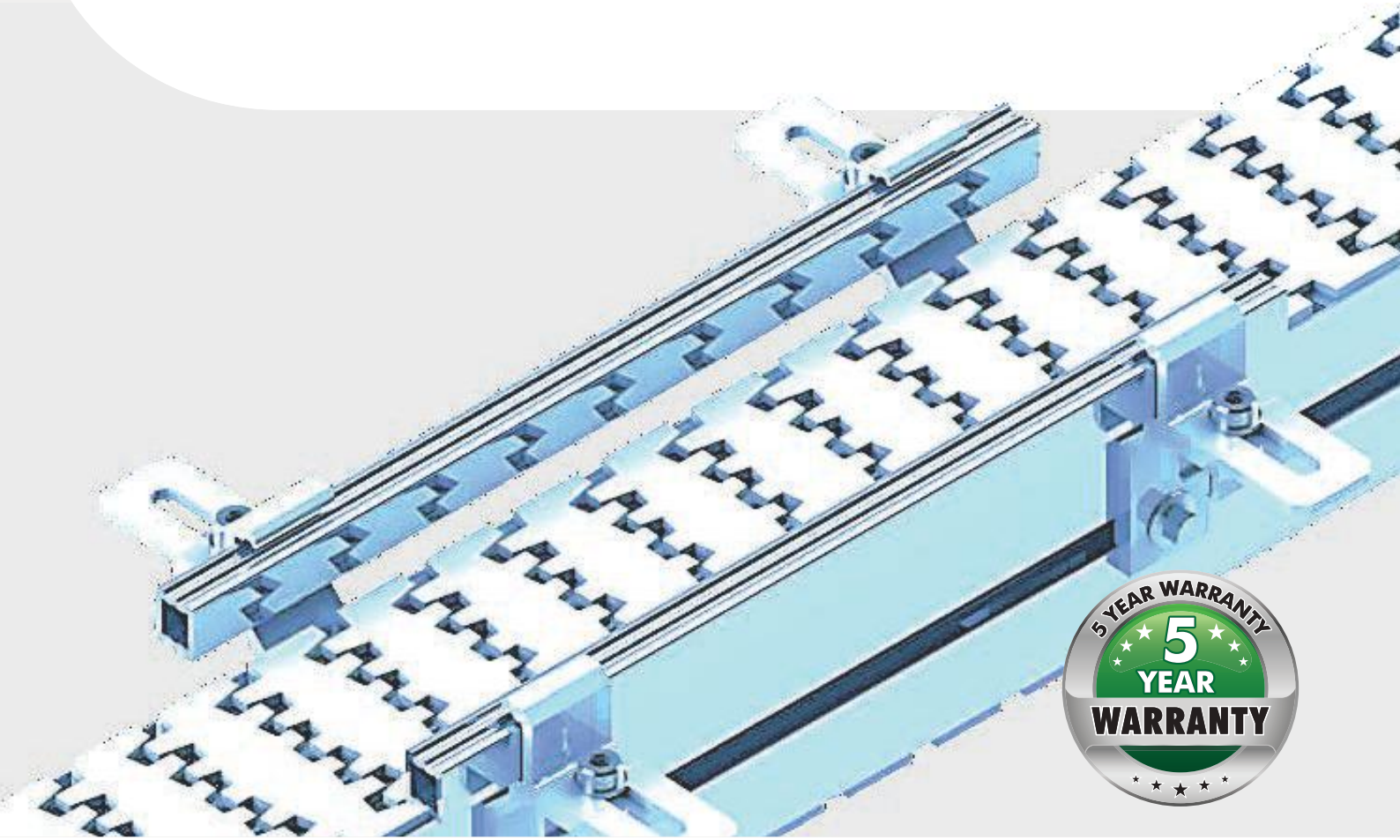


Conveline®

Inspired by Excellence



5001 SERIES CONVEYORS

MODULAR PLASTIC CHAIN CONVEYOR SYSTEMS



BEST QUALITY
& DURABLE
PERFORMANCE



FOOD GRADE
BELT



QUICK SHIPPING /
FAST DELIVERY



MODULAR
& SIMPLE TO USE

www.conveline.com

CHAIN CONVEYORS – 5001

- Rigid aluminium Frame
- Built in T slats profile for accessory mounting
- Space saving design
- High speed applications with horizontal wheel bend available for tight transfer
- Less maintenance
- Mostly Used in all General Applications area

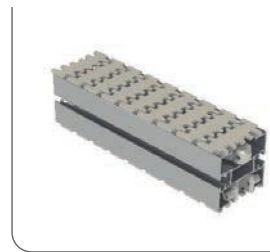
AVAILABLE IN DIFFERENT WIDTH OPTIONS



CS - 45mm



CL - 65mm



CM - 85mm



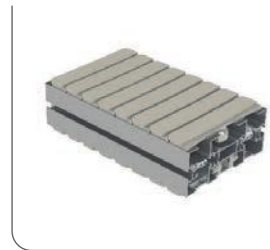
CH - 105mm



CK - 103mm



CB - 140mm



CB - 175mm



CB - 295mm

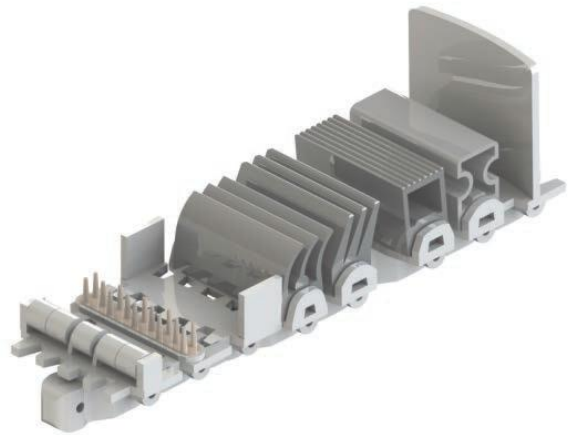
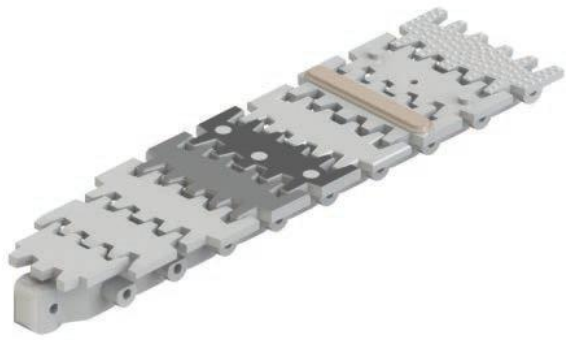
SPECIFICATIONS

Frame Width	45, 65, 85, 105, 145, 180, 300*
Chain Width	43, 63, 83, 103, 140, 175, 295 mm
Length	Up to 30m
Load	Up to 200 Kg
Speed	Up to 60 mpm
Short radius up to 150mm	

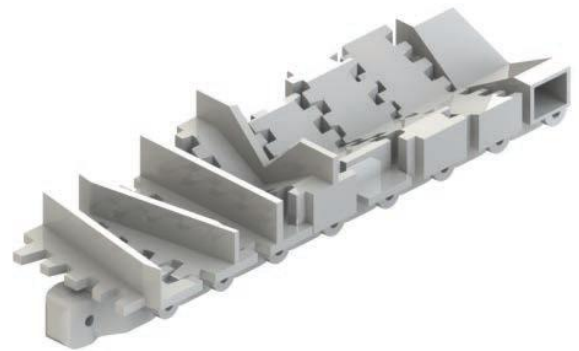


*Conveyor 300 mm and above wider feature available in multi piece frame or steel profile

CHAIN OPTIONS AVAILABLE – 5001

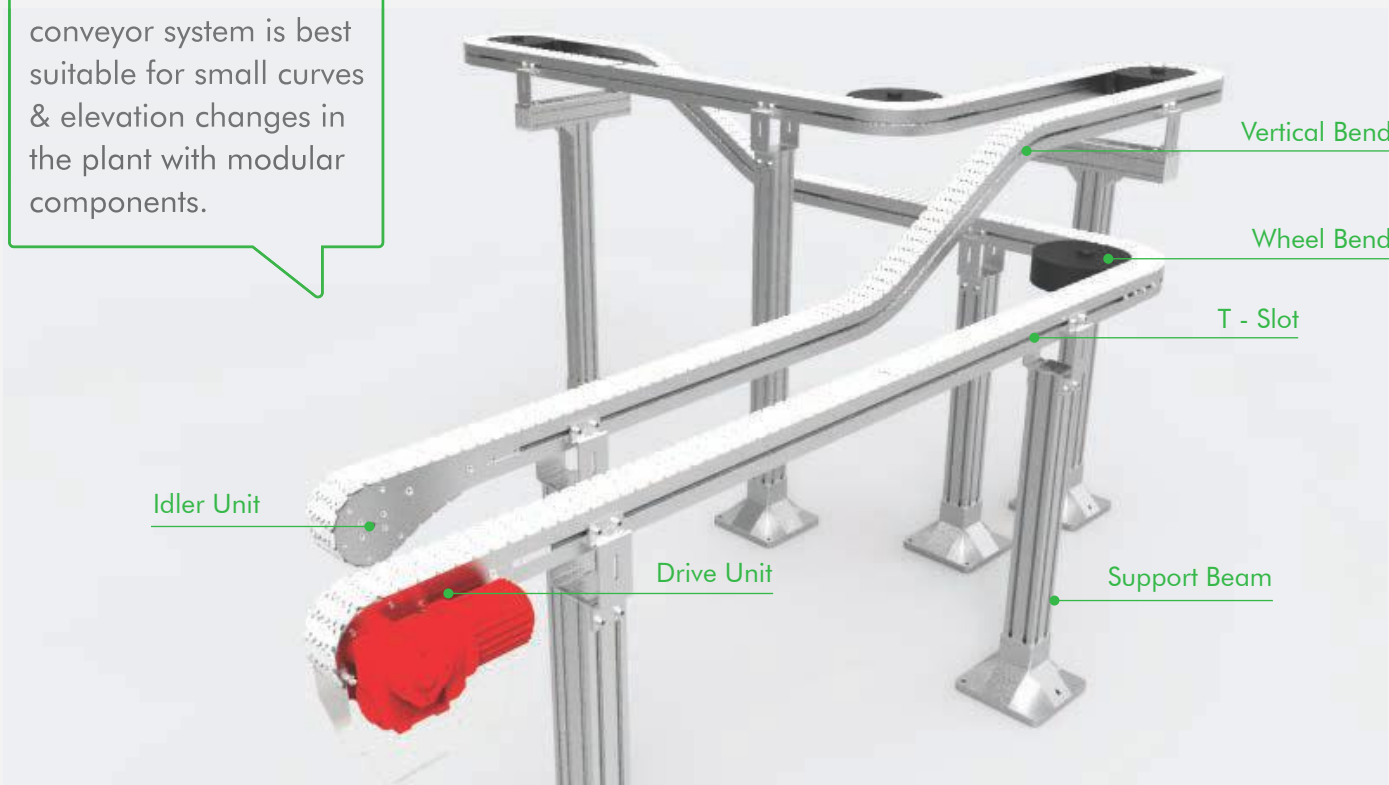


- Plain chain
- Plain chain with non-stick surface
- Friction top chain
- Flocked chain
- Steel top chain
- Rubber top chain
- Roller cleat chain
- Flexible cleated chain
- Side cleated chain
- V type cleated chain
- Cleated chain



MODULAR CHAIN CONVEYOR — 5001

Conveline 5001 series conveyor system is best suitable for small curves & elevation changes in the plant with modular components.



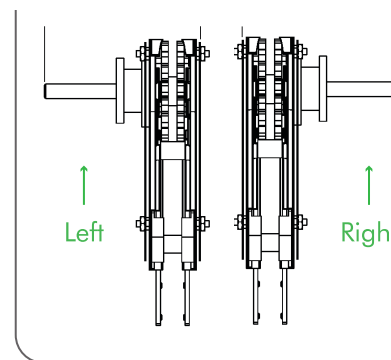
DRIVE UNITS & IDLER UNITS



Basic Drive Unit



Transmission Drive Unit



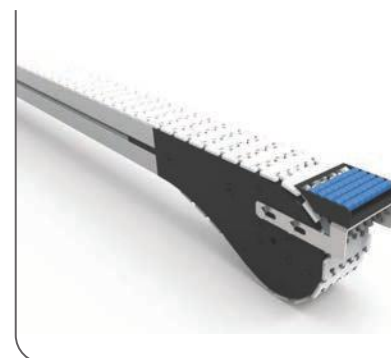
Drive Orientation Easily Changeable



Intermediate Drive Unit



Idler Unit



Free Roller Transfer Plate

BENDS, GUIDES & SUPPORTS

BENDS



Horizontal Wheel Bend

- Most preferred bend type
- Reduce friction in turn
- Width : 45, 65, 85, 105
- Angles : 30°, 45°, 60°, 90°, 180°



Plain Bend

- Larger radius bend type
- Radius available: 500, 700, 1000
- Compatible with all width
- Angles : 30°, 45°, 60°, 90°



Vertical Bend

- Used for conveying products vertically
- Compatible with all width
- Angles : 5°, 7°, 15°, 30°, 45°, 60°, 90°

GUIDES



Aluminium Guide Brackets*



Plastic Guide brackets*



Profile Type Brackets

SUPPORTS



Intermediate Drive Unit



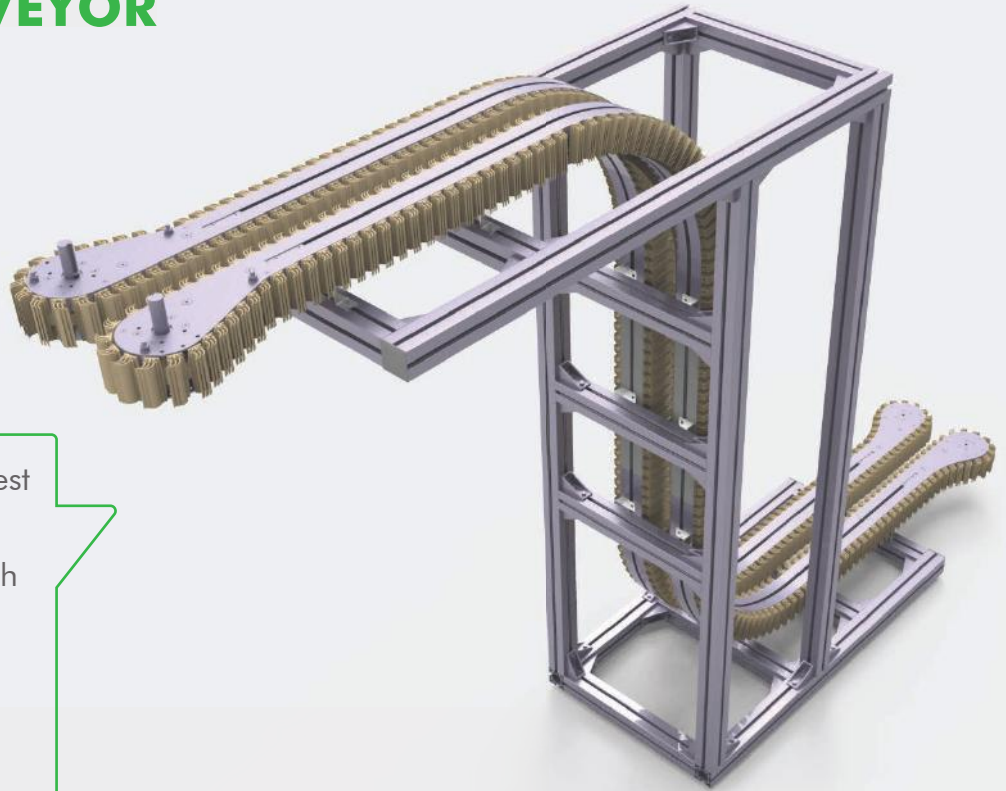
Bipod and Tripod Legs



T Type Support Legs

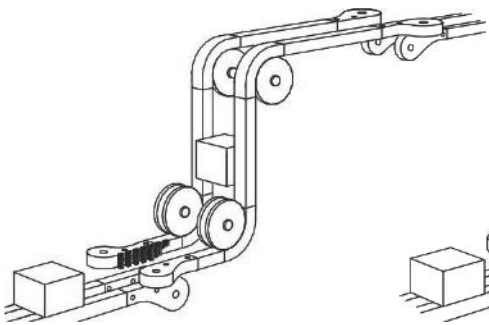
*Many other options available in plastic aluminium and plastic guide brackets

WEDGE CONVEYOR

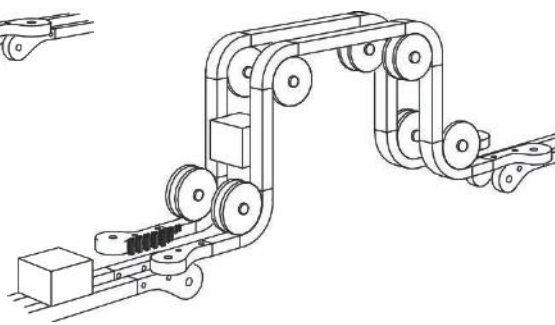


Wedge conveyors are best suitable for elevating or lowering the product with minimum floor space requirement and where higher productivity is required.

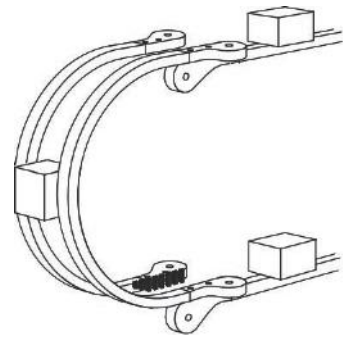
CONFIGURATION



S Type



U Type



C Type

IMPORTANT FEATURES

- Fast, high-capacity vertical transport
- Speed up to 50 m/min
- Smooth handling of products
- Suitable for filling and packaging lines, etc.
- Flexible building block principle
- Light weight, space-saving system
- Easy adjustable from one end of conveyor system for different size of products handling
- Specially designed chains for different products
- Compatible with both wheel and plain bend
- Easily integrated into other Conveline conveyors
- Only hand tools required to build conveyor

CONVELNE'S ADVANTAGE

SHORTEST LEAD TIME IN THE CONVEYOR INDUSTRY

Modularity is the key advantage of conveline conveyor system, due to its building block concept, delivery time is shortest in conveyor industry

- Modular concept
- FDA approved
- 3D layout support
- Extruded aluminium Frame
- Faster installation
- Less Maintenance
- Accumulation and buffer option
- Easy interface with your machine

**COMPACT DESIGN
SPECIAL FOR SMALL PART
HANDLING LESS TIME FOR
INTEGRATION**

1001 SERIES CONVEYORS ARE BEST FOR



Packaging



Customise Solutions




Pharmaceutical



Dry Food Packaging



Secondary Packaging



Incline, Decline



Parts Handling



Long Transfer



Accumulation



Precision Parts Movement



Naked food Applications



M/c Assembly Area



Easy Maintenance



Fast Assembly



Flexible & Modular



Fast Delivery



Small & Medium Parts Handling

Inspired by Excellence



CONVELINE SYSTEMS PRIVATE LIMITED

Block No 472, B/h Unick Fix A Form
Tajpur Road, Ahmedabad – 382213
Gujarat – India.

☎ +91 908 1915 912
✉ info@conveline.com, sales@conveline.com
🌐 www.conveline.com, www.convelinerollers.com

Need Something Different?

Conveline sales team will provide you complete solution for your specific custom application.